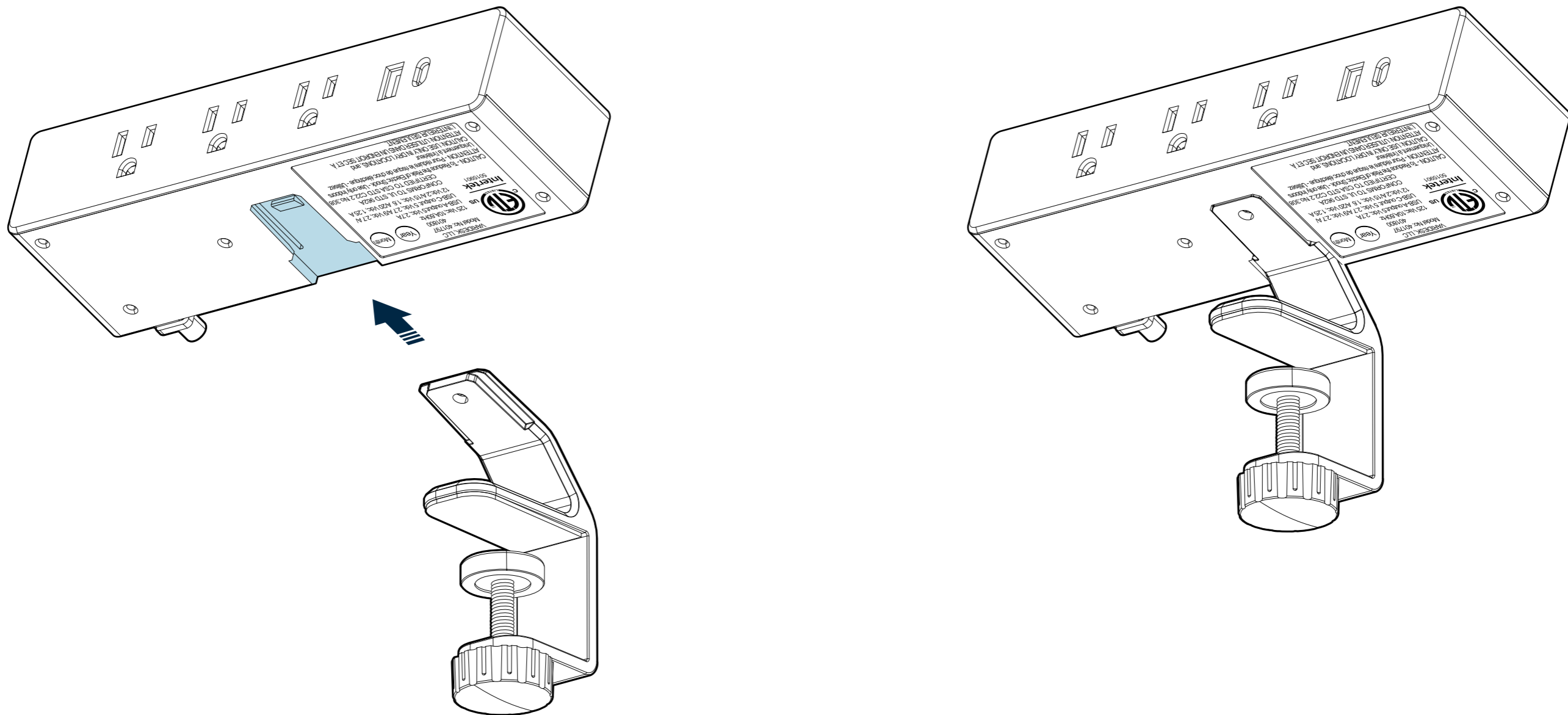


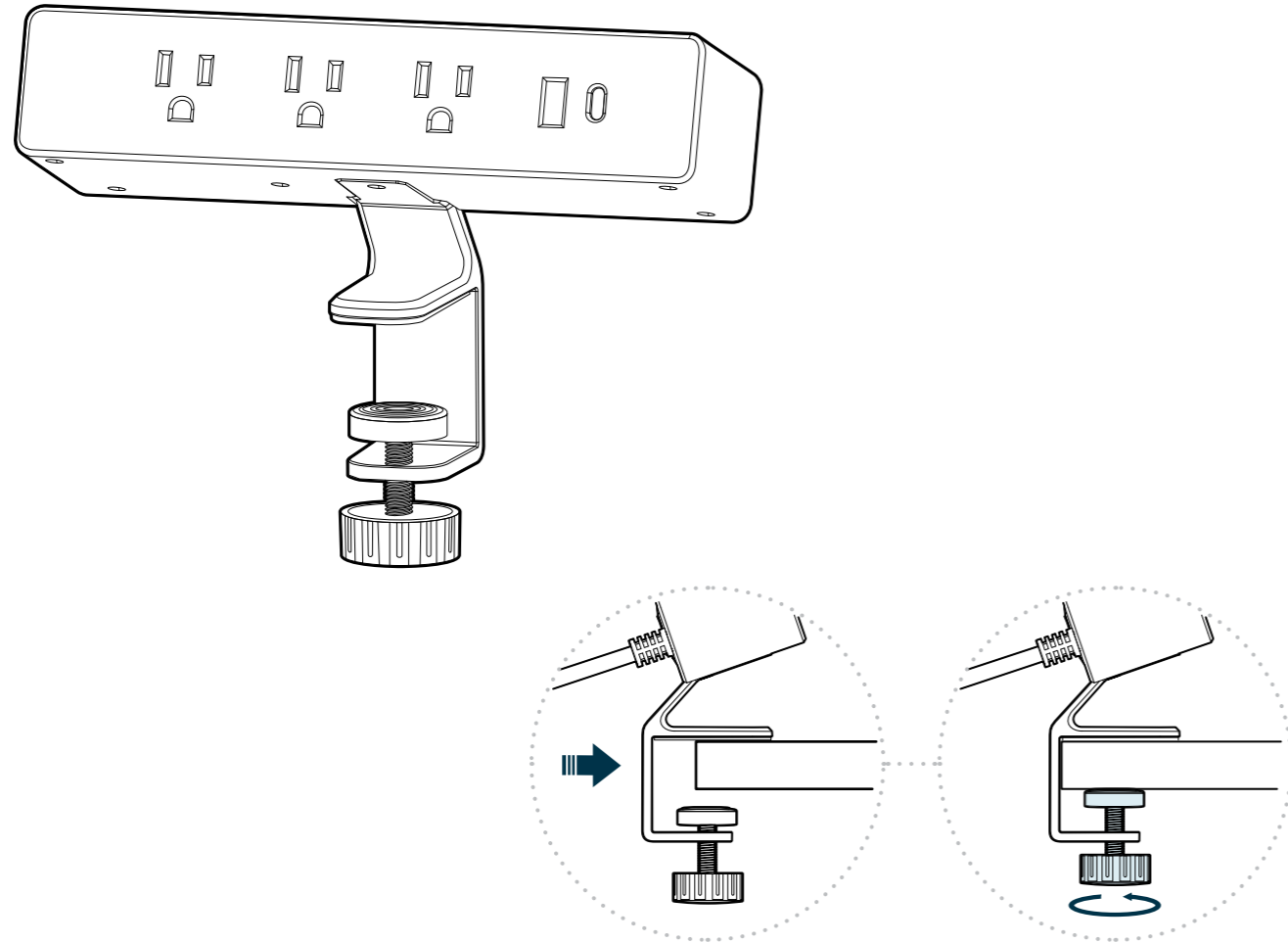
Power Hub

- 1 To attach the adjustable clamp to the Power Hub, slide it into the inset portion on the underside of the Power Hub (highlighted on the below image) until it clicks into place.

NOTE: Once the clamp is attached to the Power Hub, do not try to remove it.

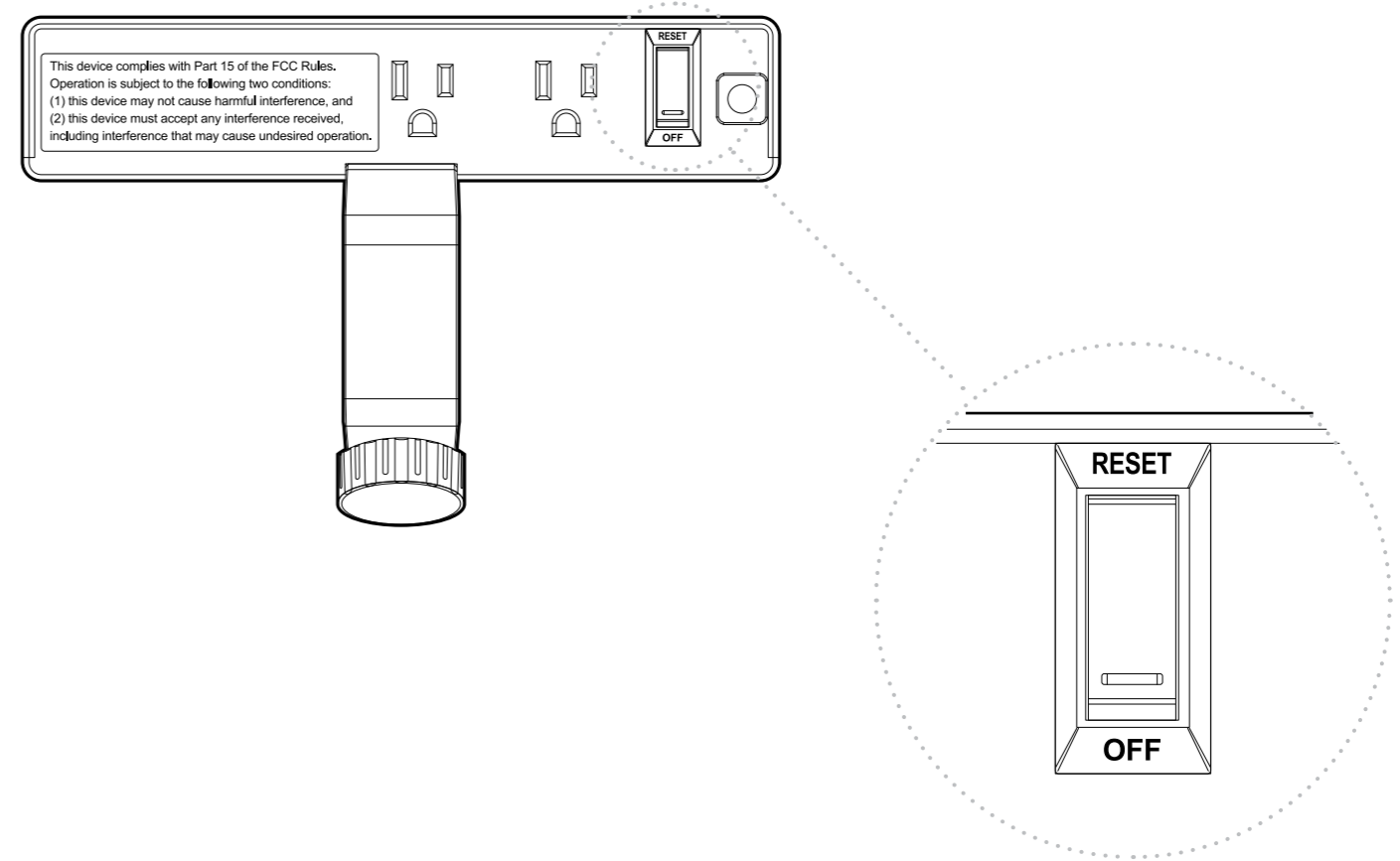


- 2** Position the Power Hub at the edge of the desk. Slide the clamp onto the edge and tighten until firmly in place.



- 3** The Power Hub includes 5 AC outlets, 1 USB-A port, and 1 USB-C port. There are 3 AC outlets on the front and 2 AC outlets on the back. To use, plug directly into a grounded outlet—do not plug into a power strip. The power button on the back of the Power Hub will need to be switched to the “reset” position.

To protect your devices, the Power Hub is equipped with an overload protection switch to prevent overheating and damage due to overload. To turn the power back on, turn the switch to the “off” position and then back to the “reset” position.



 (800) 207-2587



WARNING: Do not open any of the components, there is a danger of electric shock.



WARNING: Keep plug away from heated surfaces.



WARNING: Never operate this product if it has a damaged cord or plug, is not working properly, has been dropped or damaged, or was dropped into water. Contact our customer service department during business hours to report any issues. Our service technicians will provide a replacement if necessary.



WARNING: To reduce risk of fire, electric shock, or personal injury, use only indoors and do not install in a wet or damp location.



CAUTION: Beverages such as water or coffee could cause product failure if spilled.



NOTICE: This device complies with Part 15 of the FCC Rules. Operation is subject to the following two conditions: (1) This device may not cause harmful interference, and (2) this device must accept any interference received, including interference that may cause undesired operation.