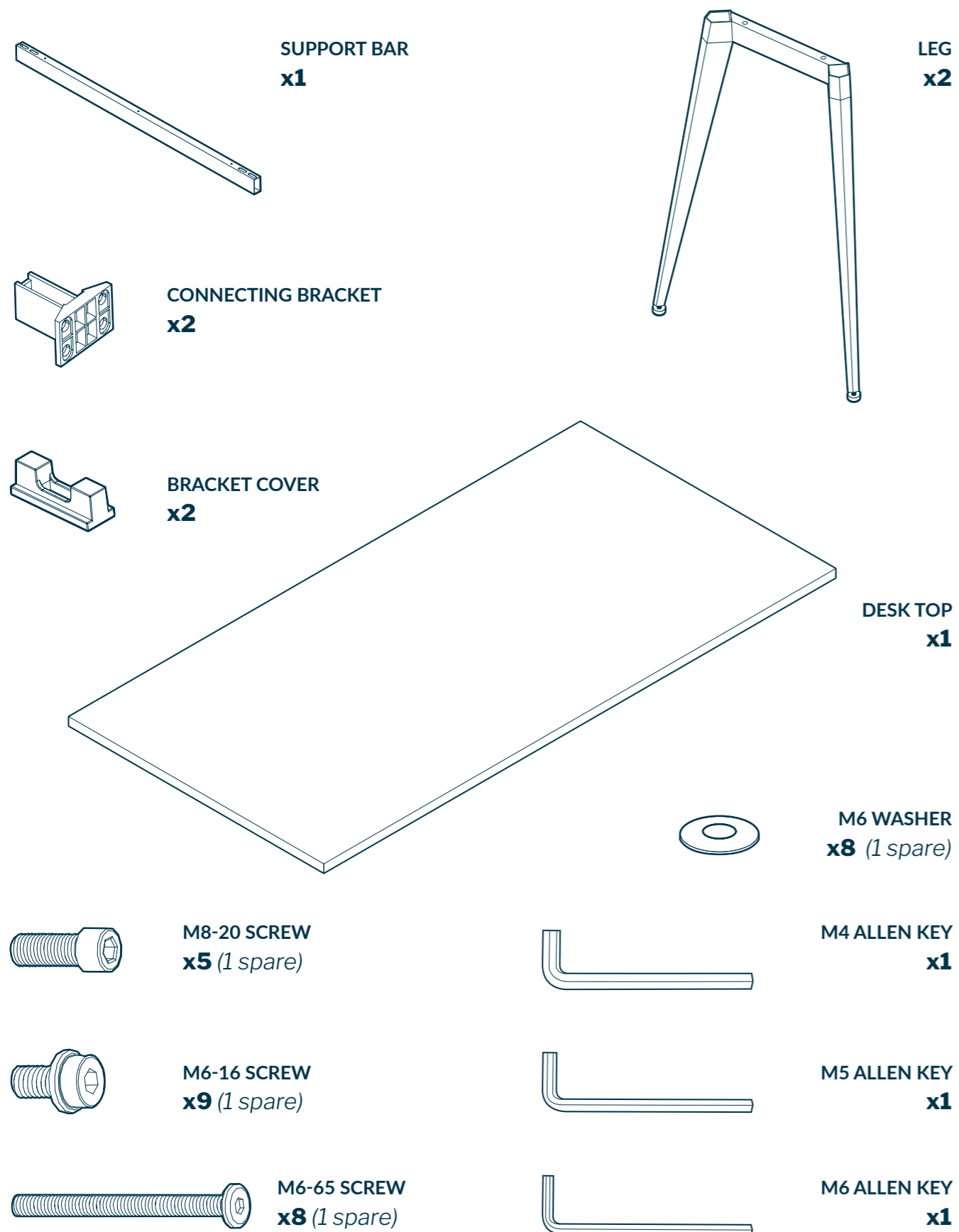


Essential Desk 48x24 Four Leg

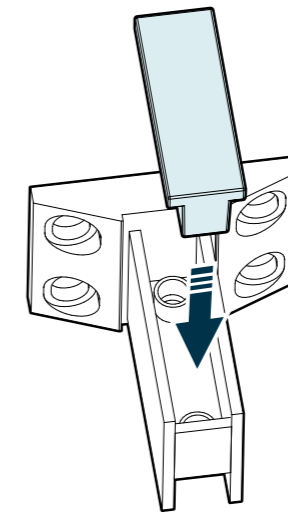
2 People
Recommended

Holds up to
150 lb (68 kg)

vari®

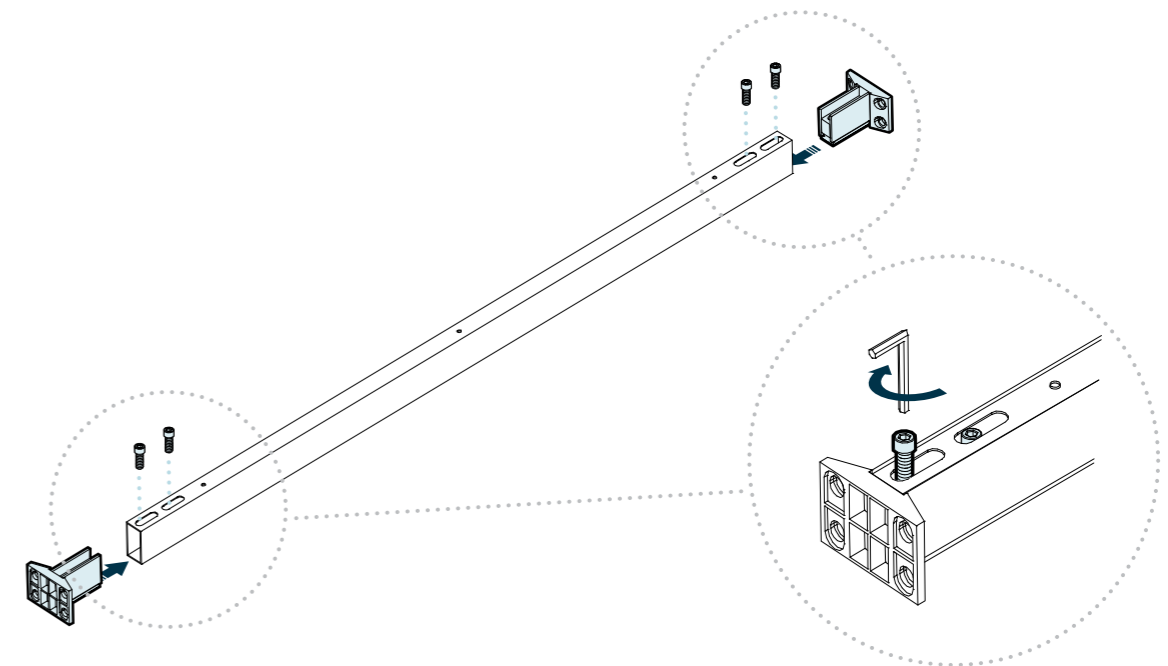


1



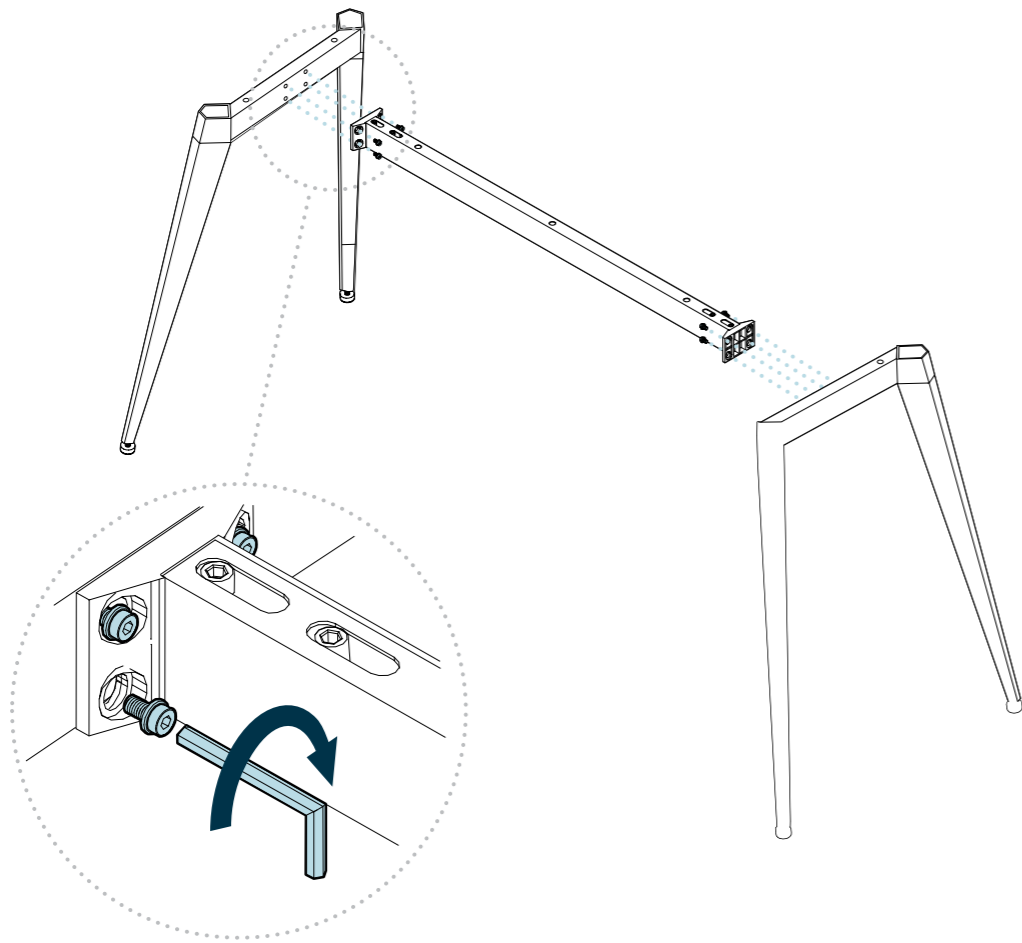
Assemble the connecting bracket by placing the bracket cover over the insert nuts as shown above (note the orientation of the connecting bracket). Repeat the step for the second bracket.

2



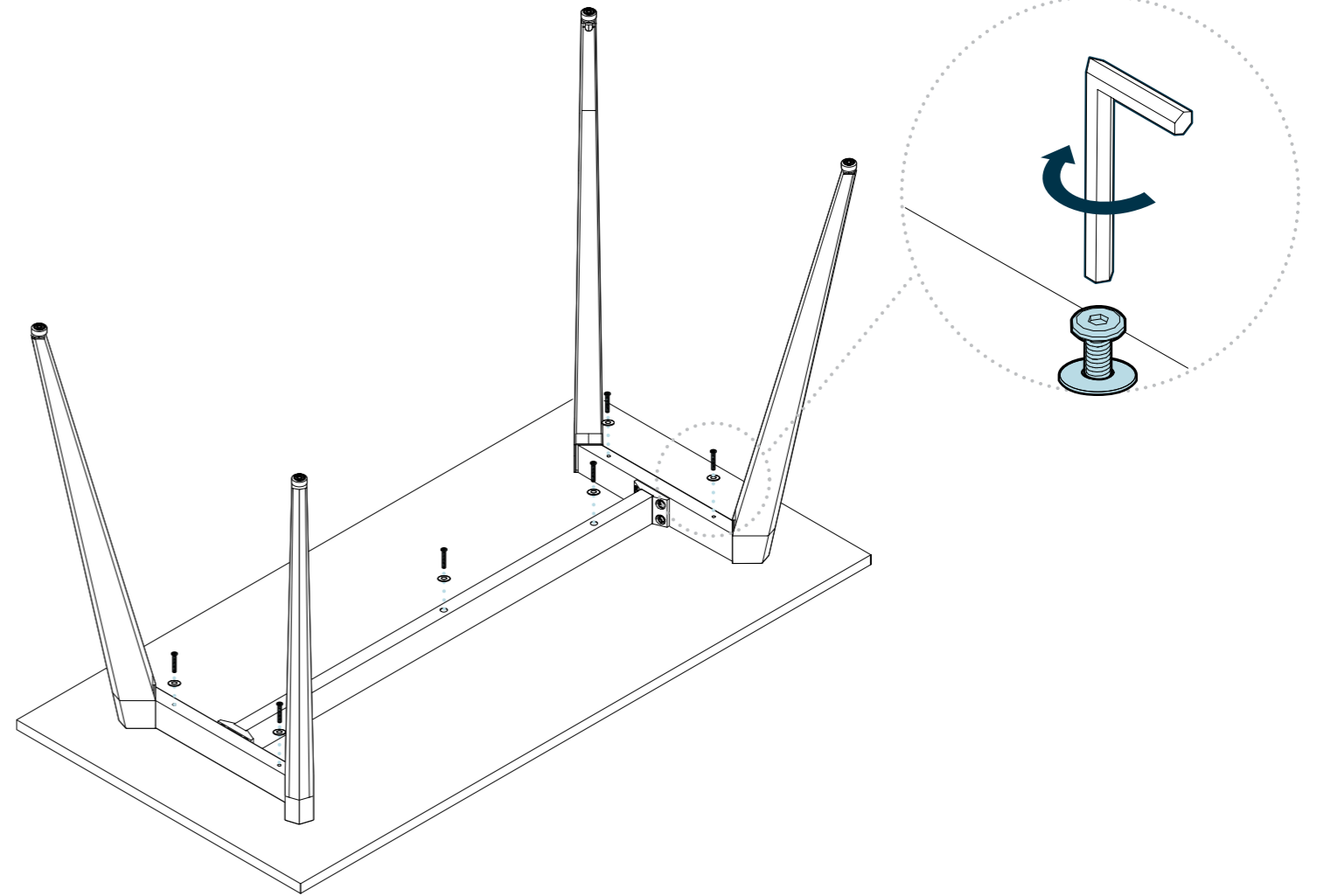
Secure the connecting brackets to the support bar using four (4) M8-20 Screws and the M4 Allen key. If assembled correctly, the surface of the bar should be flush with the surface of the bracket, not offset.

3



Using two people, attach the support beam assembly to the legs using eight (8) M6-16 screws and the included M5 Allen key as shown above; the side of the beam with more holes should be positioned to face the bottom of the desk top. **Do not tighten completely.**

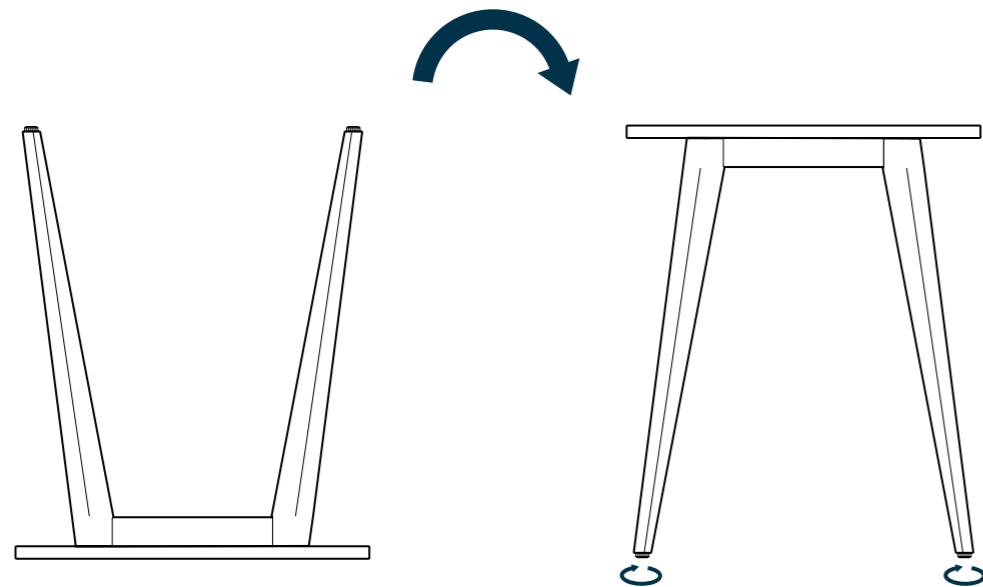
4



Next, attach the assembled legs and support beam to the desk top using seven (7) of the M6-65 screws, seven (7) of the M6 washers, and the M6 Allen key.

Confirm that all screws are in place. Then, use the corresponding Allen keys to **tighten ALL screws.**

5



Using two people, lift and turn the desk over, and set it down gently on its feet. Adjust the footpads to level the desk as needed. Your desk is now completely assembled and ready to use.

 (800) 207-2587