

Standing Meeting Table



No Tools
Required

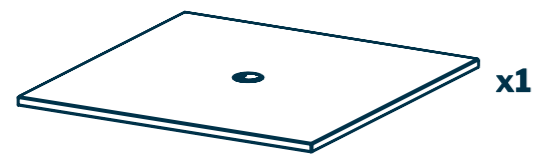


2 People
Required

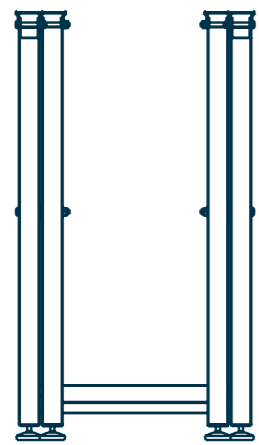


Holds up to
300 lb (136 kg)

vari®



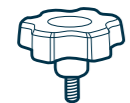
x1



x1



x1

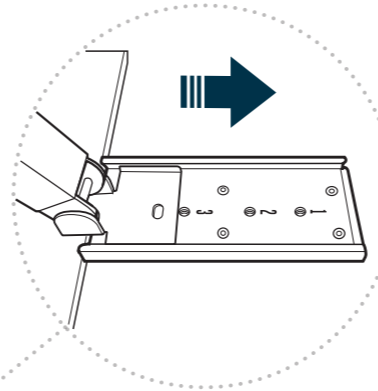
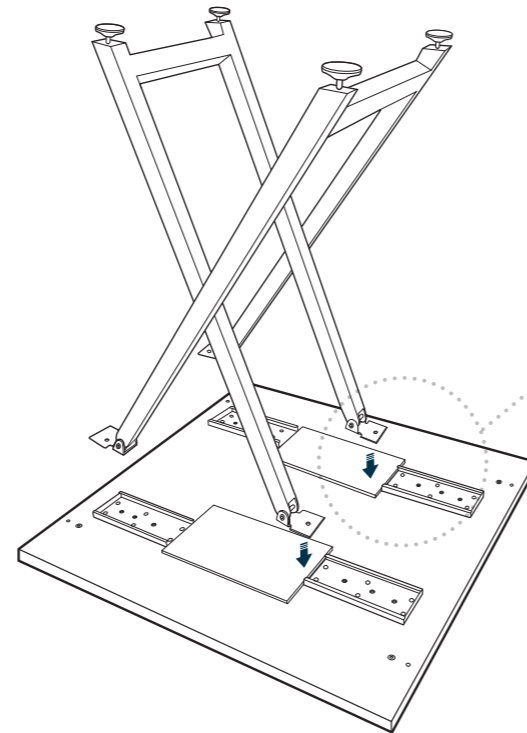


x6



x1
(ONLY NEEDED
IF CONNECTING 2 TABLES)

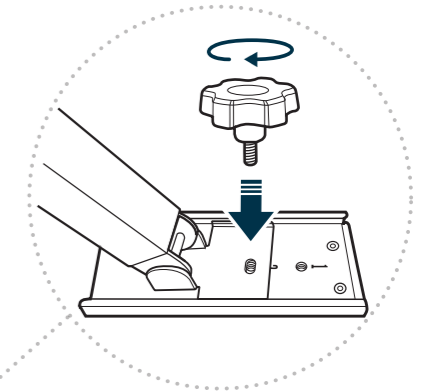
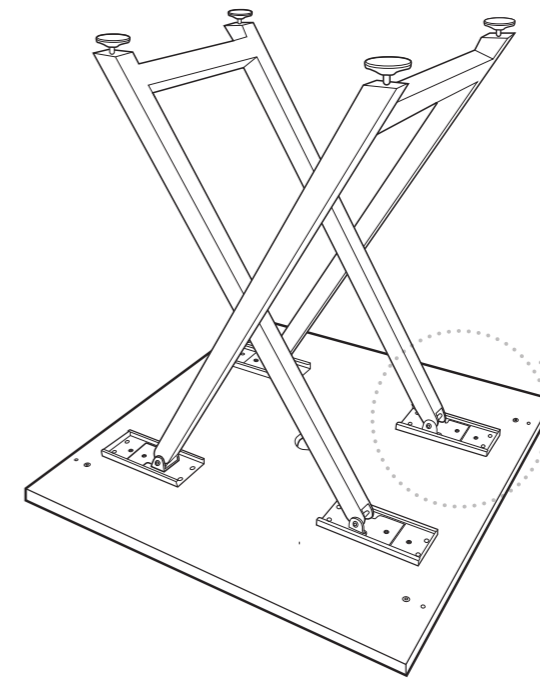
1



3. HIGH – 45" Height
2. RECOMMENDED – 42" Height
1. LOW – 39" Height

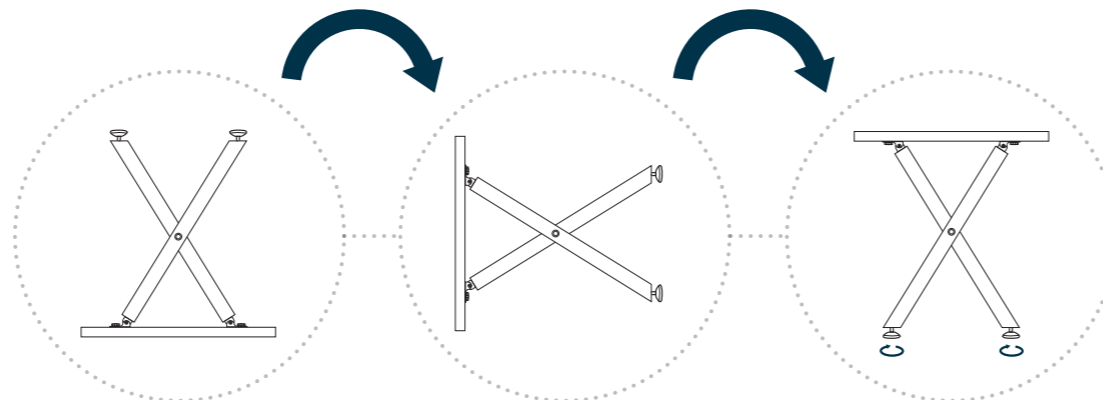
Open the box and remove the table legs. Use the included cardboard guides to line up the legs at the track and slide the leg joints over the tracks.

2



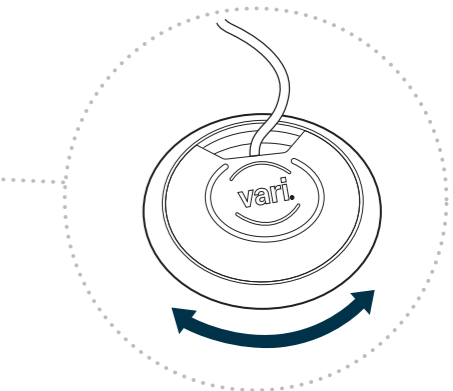
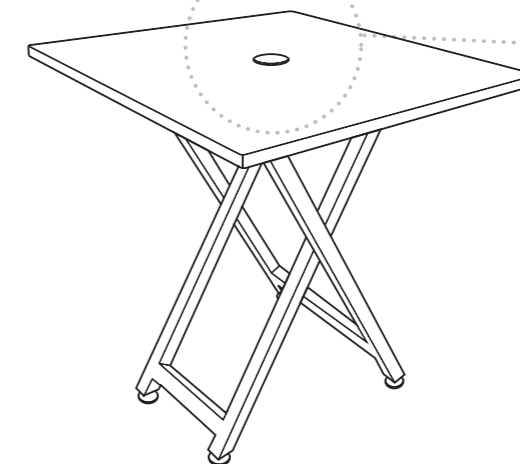
Use the hand bolts to fasten the legs to the table top and tighten until firmly in place, then remove the cardboard guides.

3



With one person on each side, hold the legs and turn the table on its side, then turn the table into a fully upright position by holding the table top and turning the table up onto its feet.

4



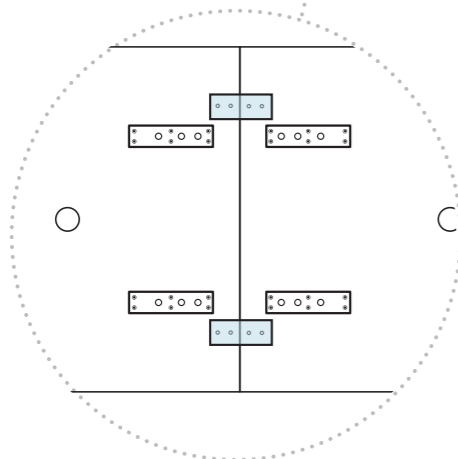
Use the grommet to manage and organize cords by threading them under the table and out of the way.

Linking Multiple Tables

If you have more than one standing meeting table, you can link them using bridging plates. Each table comes with a bridging plate; to link 2 tables together, you will need the bridging plate from each table. If connecting more than 2 tables, contact customer service for additional bridging plates.

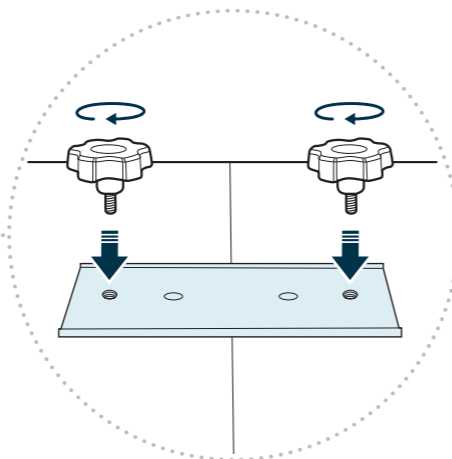


1



Line up the tables and their connection points.

2

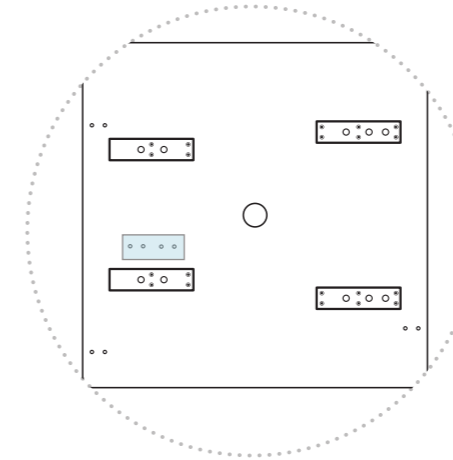


Place the bridging plate over the connection points and use the hand bolts to securely link them together. Unscrew footpads to level table if needed.

NOTE: When connecting 2 tables together, we recommend you place the legs in such a way that the sets of legs mirror each other. This configuration creates an 'X' with the legs and provides a uniform look when placing multiple tables together and in rows.

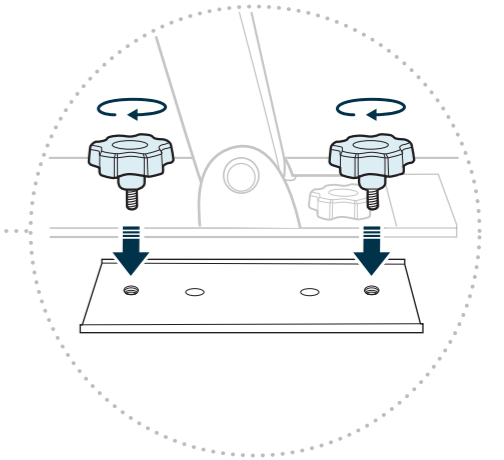
Storing Included Bracket

1



Each table package contains a bridging plate, but if you are not connecting 2 tables, you can store the plate in the designated storage slot next to the connection points.

2



Line up the bridging plate over the connection points and use the hand bolts to securely bolt it into place.



(800) 207-2587



WARNING: Risk of finger injury – pinching hazard. Use caution when lowering table.