

# Standing Conference Table



No Tools  
Required

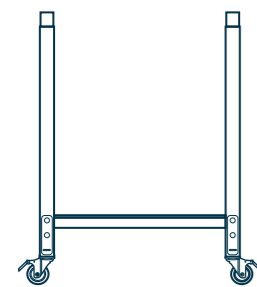


4 People  
Required

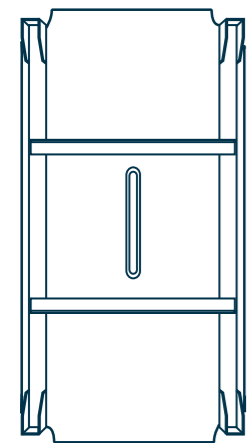


Holds up to  
300 lb (136 kg)

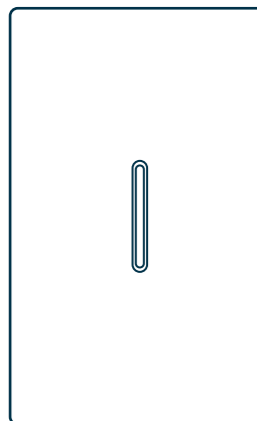
# vari®



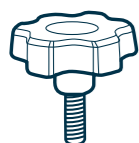
x2



x1

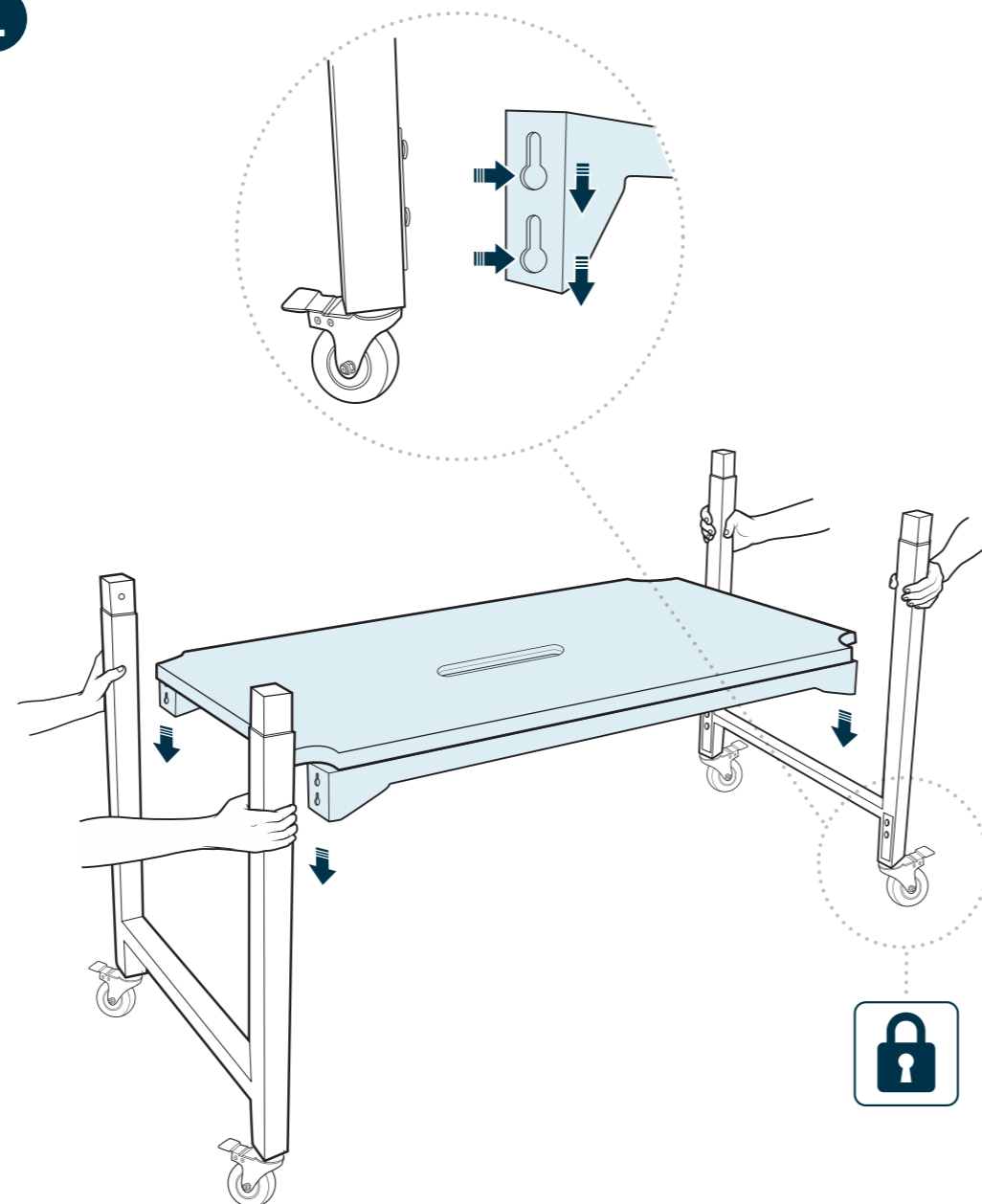


x1



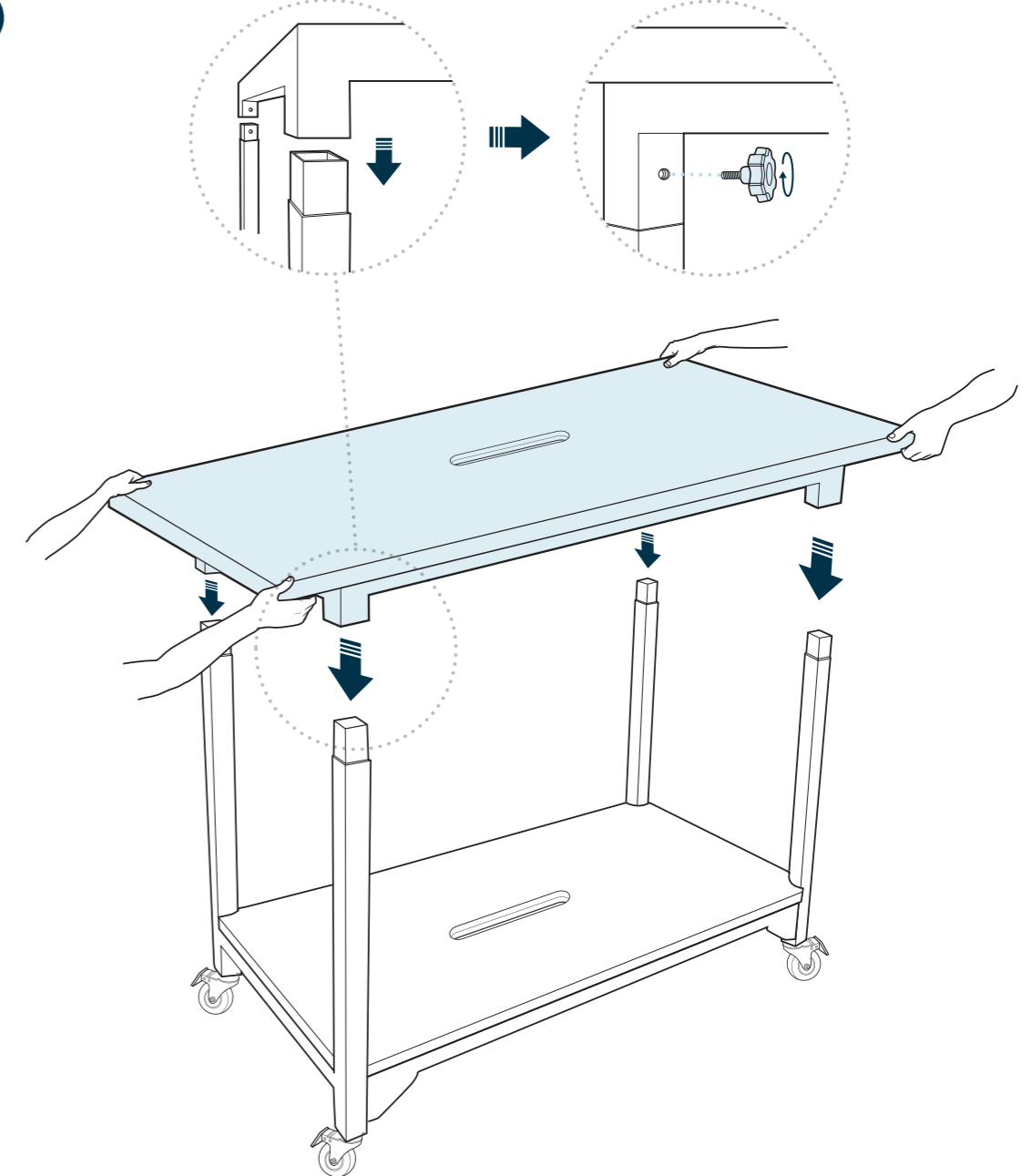
x4

1



While 2 people are holding the legs, 2 others will lower the base frame to align the keyhole connection points towards the bottom of the legs. Once aligned, press firmly on the top of the base frame to lock it in place. Be sure to lock the casters to stop the frame from rolling during assembly.

2



Have 2-3 people lift the top surface and line it up with the matching connection points on the tops of the legs. To avoid pinching fingers, hold the top surface by the corners. Once the connections are firmly placed, use the hand bolts to fasten the legs to the table top, and tighten until firmly in place.



(800) 207-2587



**WARNING:** Risk of finger injury - pinching hazard. Use caution when assembling base.