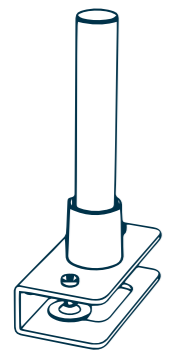


Dual-Monitor Arm

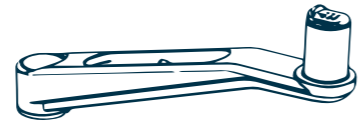
vari®



BASE & POST
x1



SPRING ARM
x2



SWIVEL ARM
x2



BASE COVER
x1



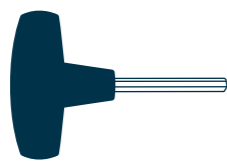
MONITOR BRACKET
x2



POST COLLAR &
QUICK RELEASE CABLE MANAGER
x1



M3 SMALL
ALLEN WRENCH
x1



M1 HANDLED
ALLEN WRENCH
x1



MONITOR SCREWS
x8



M6 LARGE ALLEN WRENCH
x1

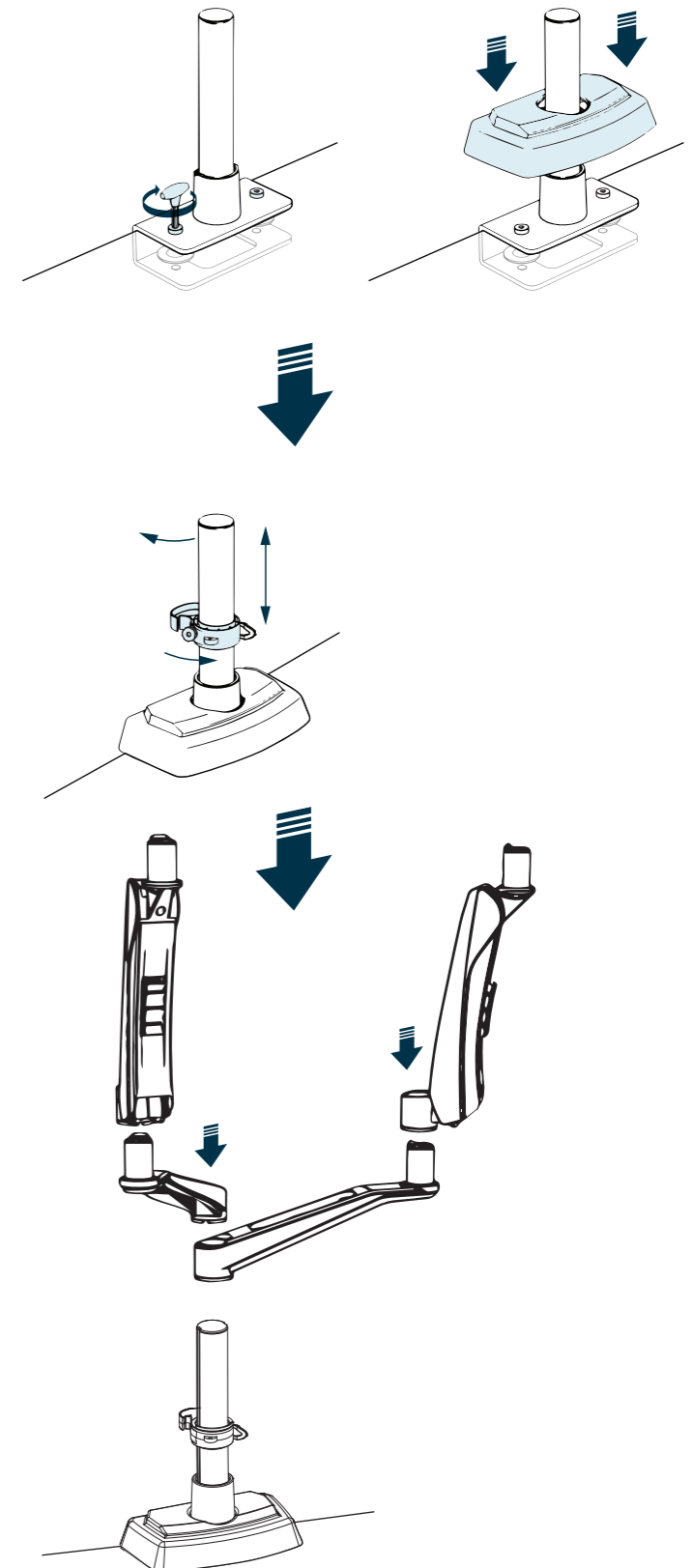
1 Base & Arm Installation

Use the M1 wrench to tighten the base bolts and affix the base to the desktop.

Once it's securely attached to the center of your desk, slide the base cover down over the base clamp.

Position post collar & quick release cable manager at the desired height and tighten it securely to the post using the clamp.

Slide swivel arms onto post first and then attach spring arms.

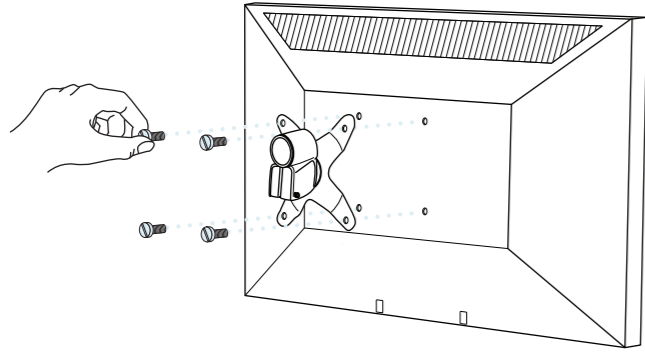


 (800) 207-2587

2 Monitor Installation

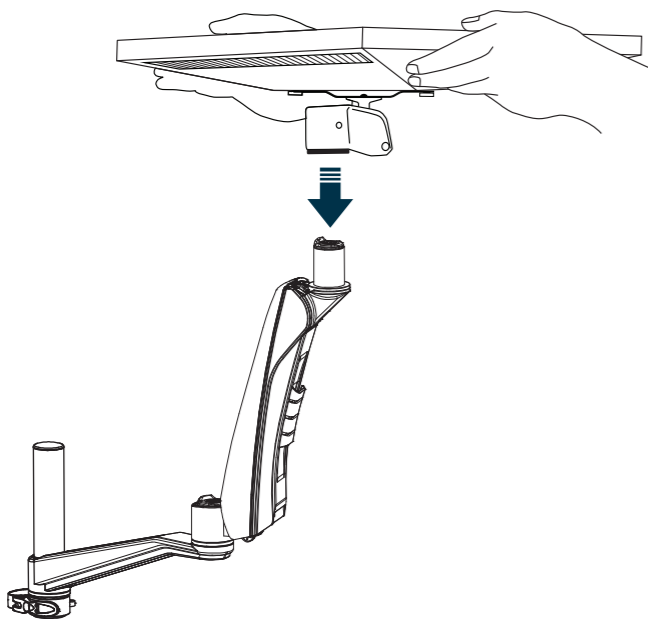
NOTE: Do not attempt to unfold monitor brackets before attaching them to the back of the monitors. Attach them as-is.

Affix a monitor bracket to the back of each monitor using the monitor screws provided. This can be done manually or with a flathead screwdriver.



Grasp the sides of the monitor with the display screen facing up and slide the monitor bracket onto the top post of the spring arm. Once it clicks into place, you can tilt the monitor down so the screen is facing forward.

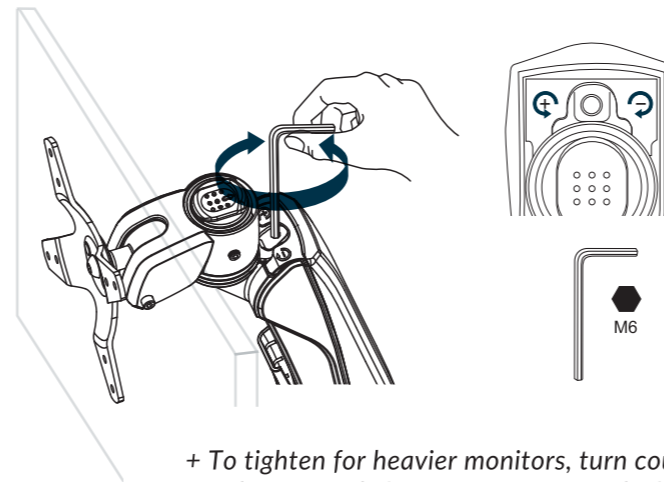
CAUTION: Please make sure the spring arm is in the highest possible position when mounting or removing the monitor. Without the monitor weight to hold it in place, the spring arm could bounce upward and cause personal injury.



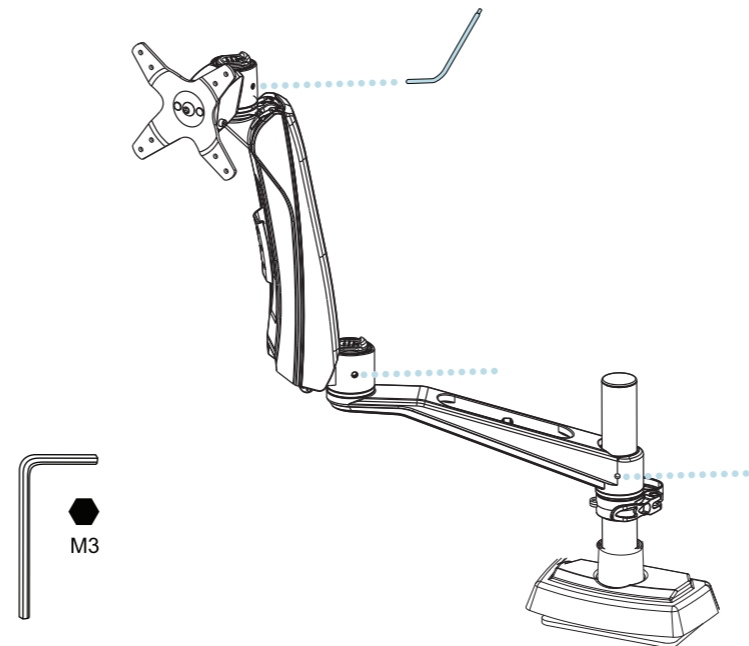
3 Monitor Arm Adjustments

CAUTION: Weight Capacity Requirements

The spring arm is set to hold monitors that weigh 5.5 – 9.9lb (2.5 – 4.5kg). If your monitor is too heavy (arm won't stay up) or too light (arm won't stay down), you need to adjust the tension on the bolt inside the spring arm using the M6 wrench. To reach this bolt, the arm needs to be raised until it is as straight as possible. (See illustration below.)



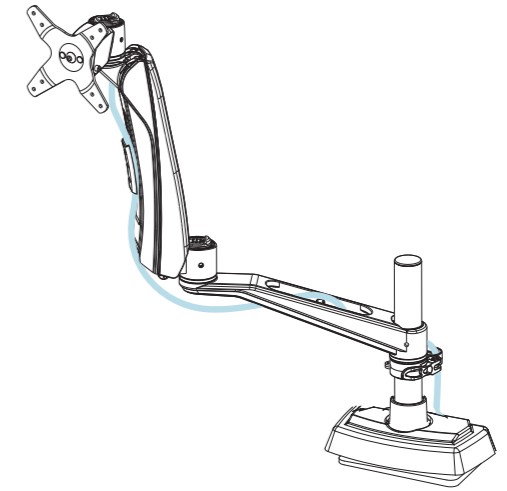
+ To tighten for heavier monitors, turn counter-clockwise.
- To loosen for lighter monitors, turn clockwise.



CAUTION: Do not overtighten.

To tighten or loosen your monitor's swing movement, use the M3 wrench and turn clockwise to increase the tension or counter-clockwise to decrease the tension.

4 Route Cables



5 Features and Specifications



VESA: 75x75 / 100x100



ANGLE: 100°



PIVOT: 360°



SWIVEL: 360°



PAN: 240°



TILT: 105°



EXTENSION: 23.2 in. / 590 mm



VERTICAL: 10.6 in. / 270 mm



LIFT: 5.9 in. / 150 mm



WEIGHT LOADS

ONE ARM: ≤ 19.8 lb / ≤ 9 kg

POLE MAX LOAD: ≤ 44.1 lb / ≤ 20 kg